

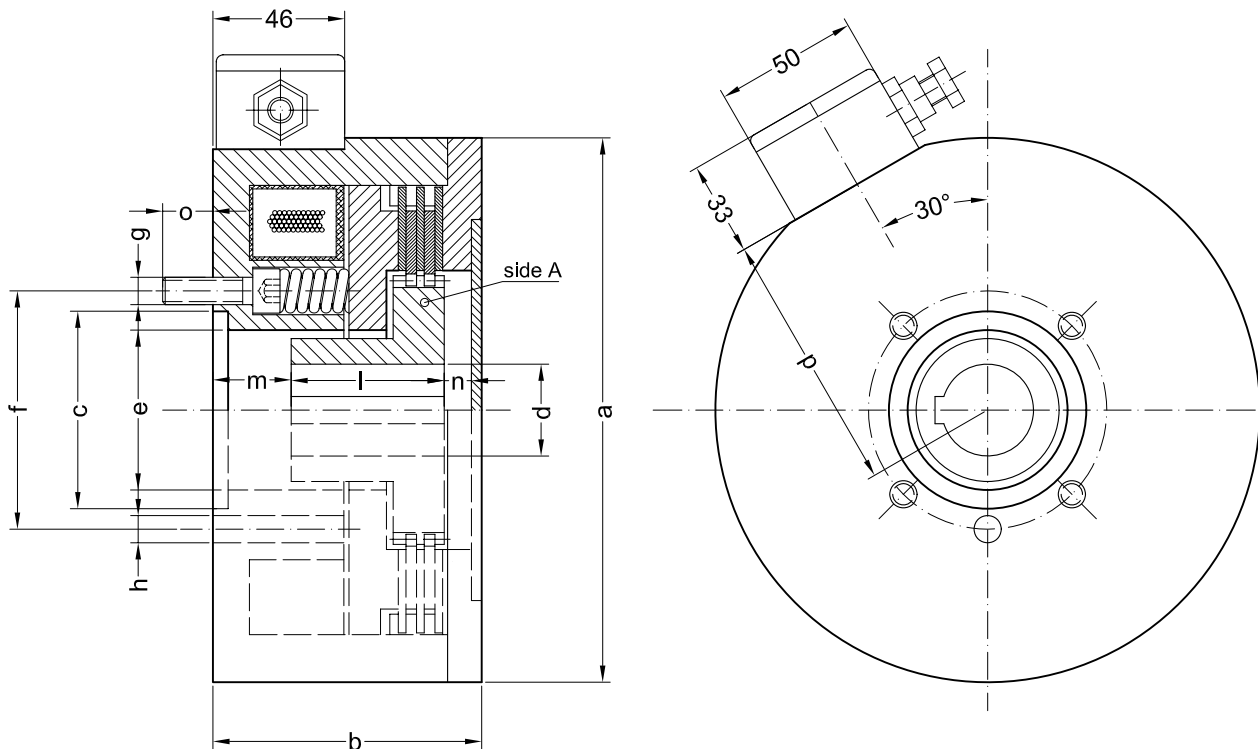
Electromagnetic Spring-Operated Multi Disc Brake

Safety brake for installation to gear boxes.

For dry operation, coil voltage 24 V DC

- ◆ Encapsulated unit.
- ◆ Suited as load brake for hoisting equipments.
- ◆ High energy absorption by wear resistant steel- / sinter discs.
- ◆ Maintenance-free, no air gap adjustment required.
- ◆ For horizontal mounting.

The brake is designed with a totally enclosed housing, according to the safety regulations, and is suitable for application under difficult environment conditions. The brake effect is given with deenergized coil and hence also during power failures. The coil is so designed that the brake can be lifted even if the discs are worn and if, as a consequence the stroke distance has increased.



Data and Dimensions		LMOBA	LMOBA	LMOBA	LMOBA	LMOBA	LMOBA	LMOBA	LMOBA	LMOBA	LMOBA	LMOBA	
		0,2	0,5	1	2	4	6,3	10	16	25	40	63	100
Static torque	Nm	2,2	5,6	11,2	22,5	45	70	112	180	280	450	700	1120
Dynamic torque	Nm	2	5	10	20	40	63	100	160	250	400	630	1000
Friction work per engagement	kJ	9	14	16	17	19	27	34	40	51	63	77	87
Thermal capacity	W	82	95	115	140	165	190	210	265	330	440	540	750
Release time	s	0,20	0,20	0,25	0,25	0,30	0,35	0,40	0,50	0,60	0,80	1,0	1,2
Engagement time	s	0,05	0,05	0,06	0,06	0,07	0,08	0,09	0,10	0,15	0,20	0,25	0,30
Speed maximum	min ⁻¹	6000	6000	6000	5700	5300	4900	4600	4000	3700	3200	2900	2400
Mass moment of inertia side A	10 ⁻³ kgm ²	0,14	0,32	0,39	0,62	0,80	1,3	2,3	3,0	5,0	13,6	41,6	69
Coil power consumption at 20°C	W	26	40	44	53	57	78	88	95	120	138	180	230
Mass (weight)	kg	4	5	7	9	12	14	16	22	31	45	60	110
Ø a	mm	115	125	136	155	165	180	190	215	237	270	305	362
b	mm	57	59	66	70	77	79	83	90	105	123	128	151
Ø c	mm	40	45	50	55	60	70	80	90	100	120	130	150
Ø d H7 pre-bored	mm	10	12	12	15	15	20	20	20	20	30	30	30
Ø d max H7 ¹⁾	mm	20	25	28	30	35	40	45	45	50	60	65	70
Ø e	mm	30	35	40	43	50	55	62	62	68	78	84	90
Ø f	mm	48	55	60	65	75	85	95	105	115	135	155	180
g	mm	4 x M5	4 x M5	4 x M6	4 x M6	6 x M6	8 x M6	6 x M8	8 x M8	12 x M8	12 x M8	12 x M10	12 x M10
Ø h rough bored / for dowel	mm	1 x 5/6	1 x 5/6	1 x 5/6	1 x 5/6	1 x 5/6	1 x 5/6	1 x 7/8	1 x 7/8	1 x 7/8	2 x 7/8	2 x 9/10	2 x 9/10
k	mm	4	4	4	4	4	4	4	4	4	5	5	5
l	mm	36	36	38	45	45	50	50	60	75	85	92	110
m	mm	15	18	20	17	25	20	23	20	18	25	25	30
n	mm	4	3	6	6	5	6	7	7	9	9	7	7
o	mm	8	8	10	10	10	10	14	13	13	13	13	14
p	mm	51	57	63	73	78	86	91	104	115	132	150	179

1) Keyway according to DIN 6885-1